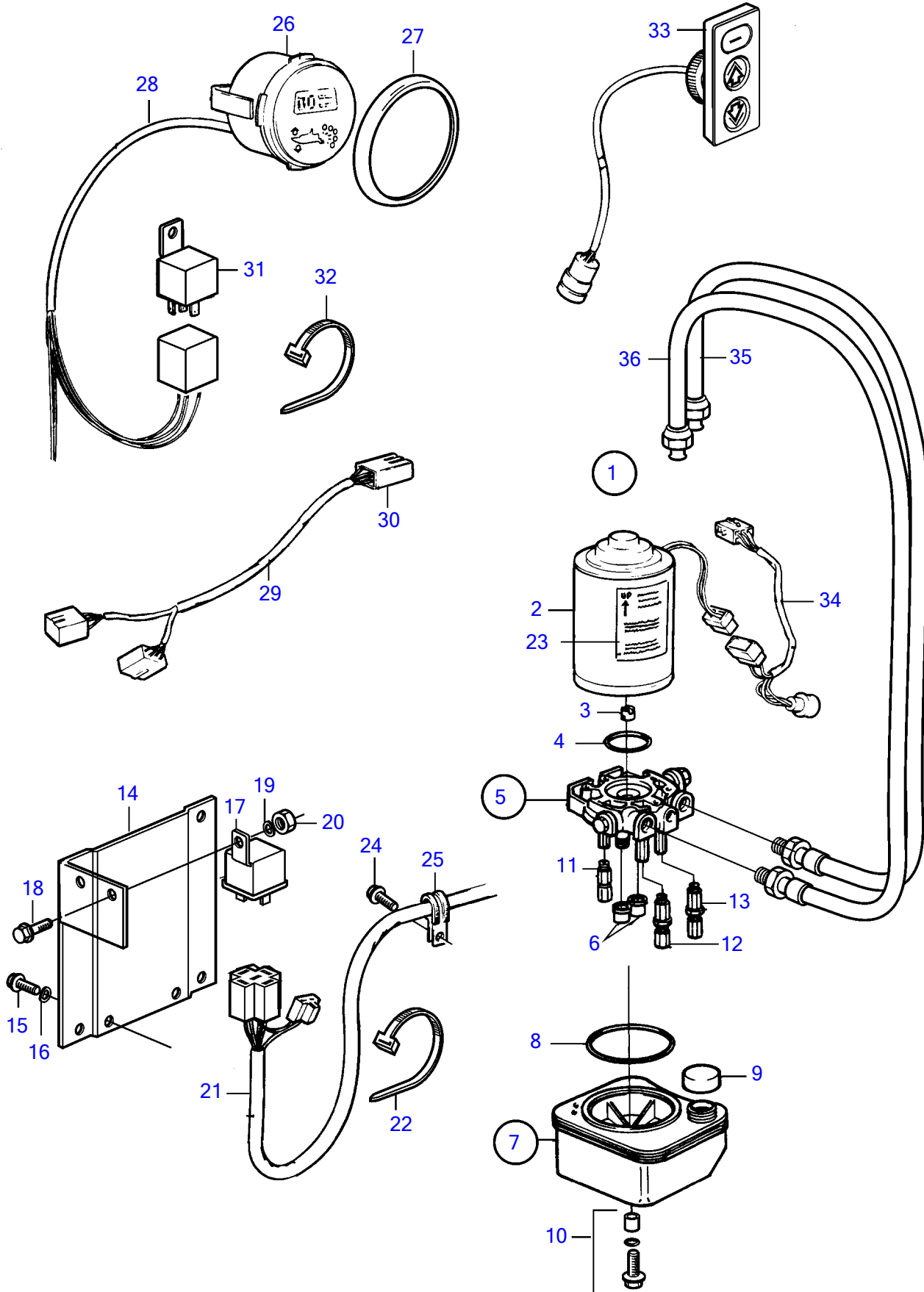


DP-D1, DP-E, DP-S, DPX, SP-C1



DP-D1, DP-E, DP-S, DPX, SP-C1

REF	PART NO.	QTY	DESCRIPTION	SEE SEC.	NOTES
1	873051	1	Hydraulic pump		Repl by 3857265
	3857265	1	Hydraulic pump		
	3861027	1	Kit		
2	854525	1	• Electrical motor		
3	3858072	1	• • Connector		
4	3858073	1	• • O-ring		
5	(854528)	1	• Valve housing		For 873051, Obsolete part
	3857003	1	• Adapter		For 3857265
6	3858076	2	• • Filter		
7	854531	1	• Reservoir		Obsolete part
8	3858078	1	• • Sealing		
9	3858079	1	• • Cardboard tube		
10	854534	1	• • Small parts kit		
11	854535	1	• Hydraulic pump		
12	873057	1	• Delivery valve		
13	854537	1	• Pressure box		
14	854438	1	• Bracket		
15	970945	2	• Hexagon screw		
16	941908	2	• Spring washer		
17	854357	2	• Relay		
18	948663	2	• Flange screw		
19	941905	2	• Spring washer		
20	955780	2	• Hexagon nut		
21		X	• cables and terminals		See group 30
22	948211	1	• Cable tie		
23	853097	1	• Sign		
24	968476	4	• Flange screw		
25	952630	4	• Clamp		
26	872498	1	Trimmer		
27	858643	1	Front ring		
28	856821	1	Cable kit		
29	853066	1	Cable trunk		For double steering positions.
30		X	• cables and terminals		See group 30
31	1324492	2	Relay		Replaced by relay 1324492 and mounting instruction., 12V 30A
	1324492	2	Relay		Nb! changed polarity. see mounting instruction., With built in diod
32	949666	X	Cable tie		
33	3855650	1	Control panel		(873617), (853846)
34	853032	1	Cable trunk		
	948294	X	• Housing		9-pole
	965822	X	• Cable terminal		3.5x1x2.5
	(853498)	X	• Anode kit		3-pole, Obsolete part
	853521	X	• Cable terminal		For 853498
35	873228	1	Hydraulic hose	592	
36	873229	1	Hydraulic hose	592	